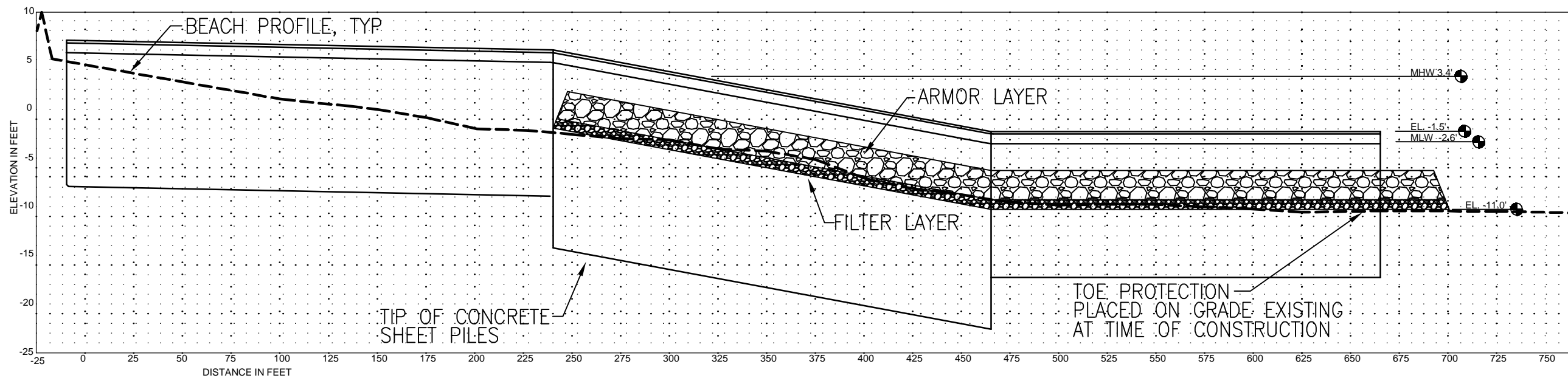
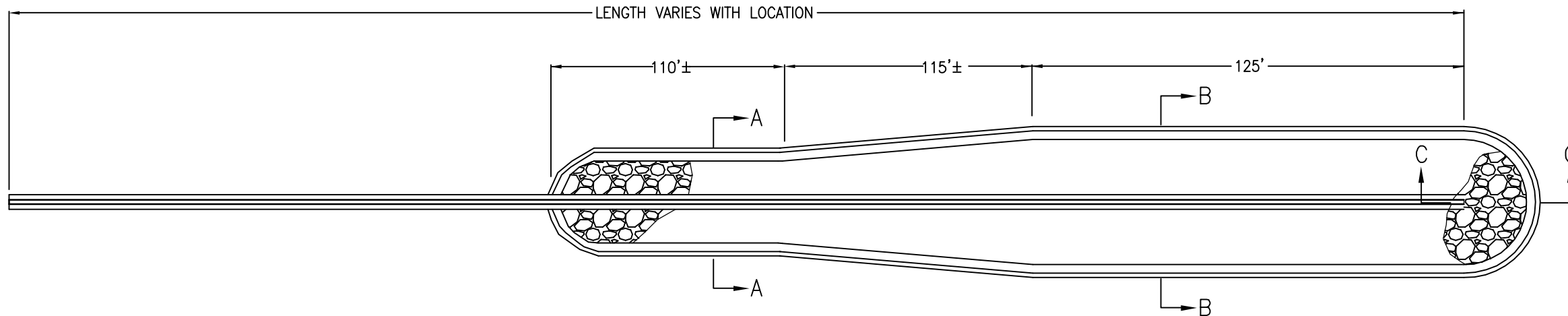



GENERAL NOTES



NO.	REVISION	BY	DATE



 Coastal Science & Engineering

 PO Box 8056

 Columbia, South Carolina 29202-8056

 Phone 803-799-8949

 Fax 803-799-9481

 www.coastalscience.com

PROJECT TITLE:

 HUNTING ISLAND STATE PARK

 BEACH RESTORATION

PREPARED FOR:

 S.C. DEPT OF PARKS

 RECREATION & TOURISM

 1205 PENDELTON STREET

 COLUMBIA, SC 29201

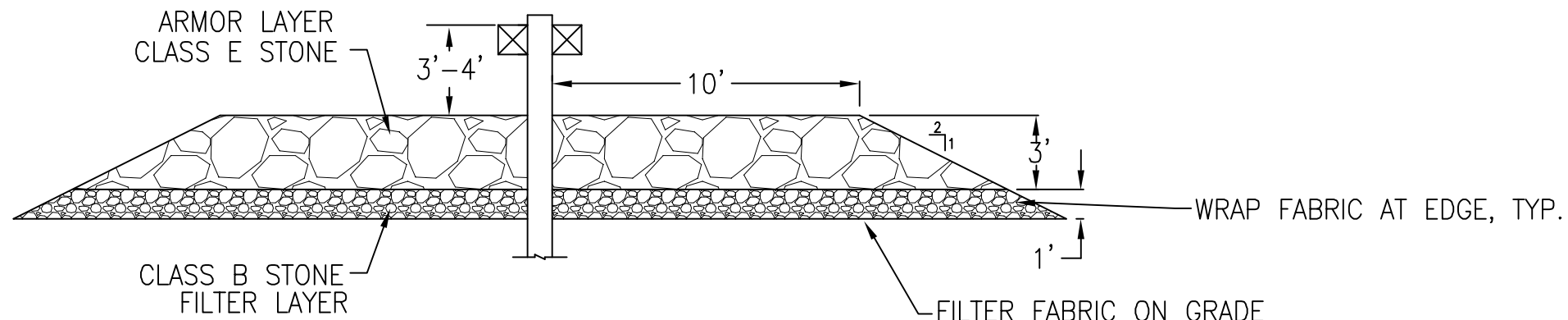
DRAWING TITLE:

GROIN PLAN PROFILE

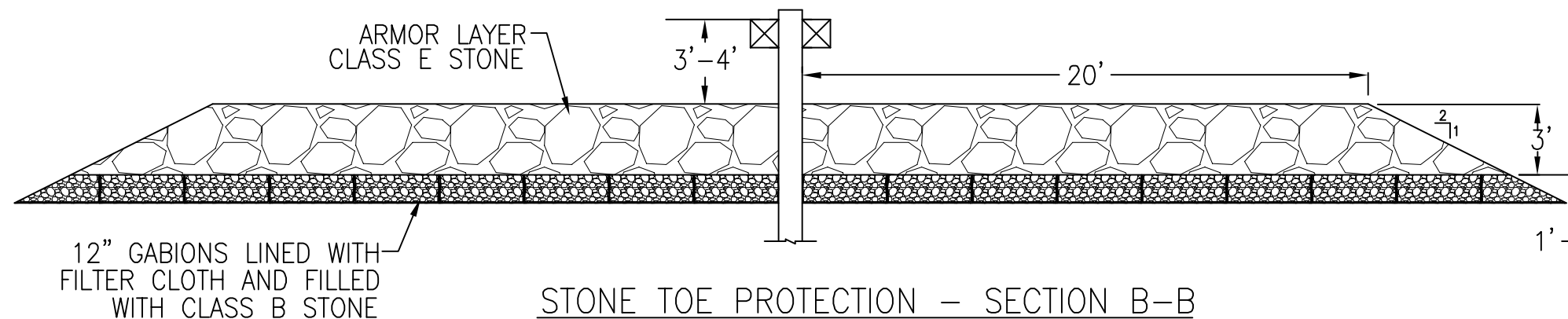
Preliminary Drawing

Not For Construction

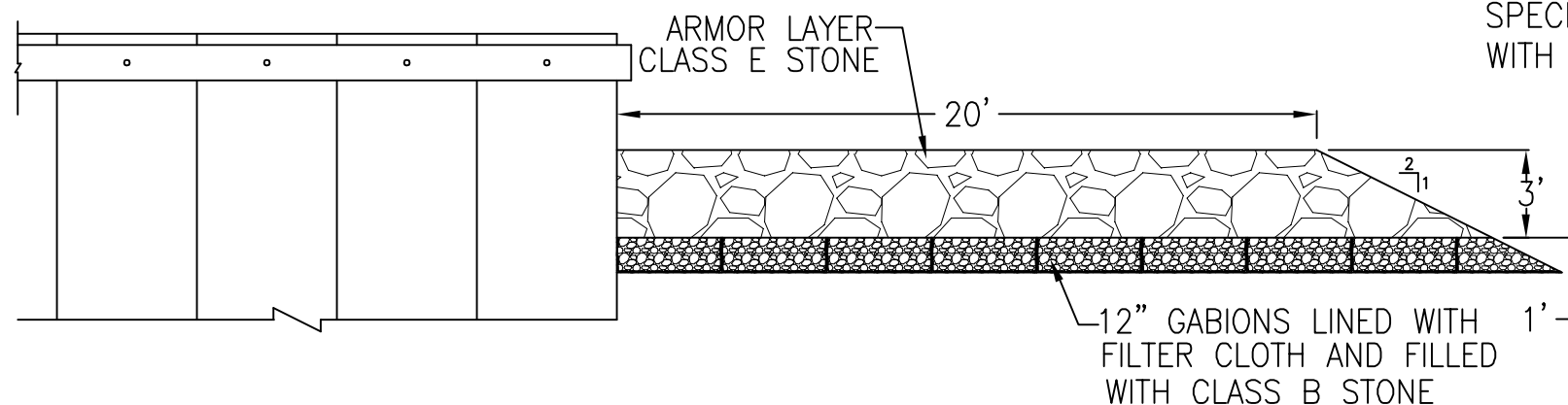
SCALE:	AS SHOWN	SHEET #:	10
DATE:	MAR 2005		
DRAWN BY:	BMF		
APPROVED BY:	JWF		
PROJECT #:	2155	OF: 12	



STONE TOE PROTECTION - SECTION A-A
SCALE: 3/16"=1'-0"



STONE TOE PROTECTION - SECTION B-B
SCALE: 3/16"=1'-0"



STONE TOE PROTECTION - SECTION C-C
SCALE: 3/16"=1'-0"

ALL STONE SHALL MEET SCDOT SPECIFICATIONS AND BE SOUND GRANITE WITH MIN. SPECIFIC GRAVITY OF 2.65

NO.	REVISION	BY	DATE

COLUMBIA **MOREHEAD CITY** **CSE**
Coastal Science & Engineering
PO Box 8056
Columbia South Carolina 29202-8056
Phone 803-799-8949
Fax 803-799-9481
www.coastalscience.com

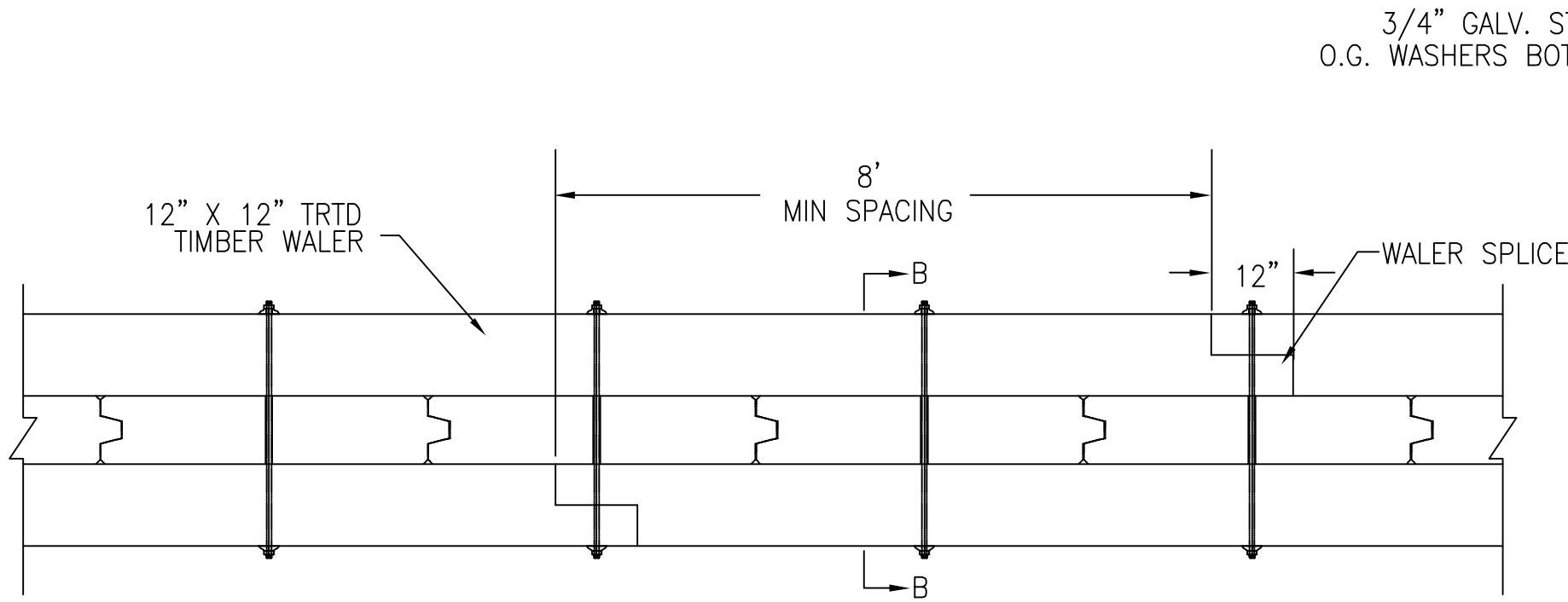
PROJECT TITLE:
HUNTING ISLAND STATE PARK
BEACH RESTORATION

PREPARED FOR:
S.C. DEPT OF PARKS
RECREATION & TOURISM
1205 PENDELTON STREET
COLUMBIA, SC 29201

DRAWING TITLE:
DETAILS

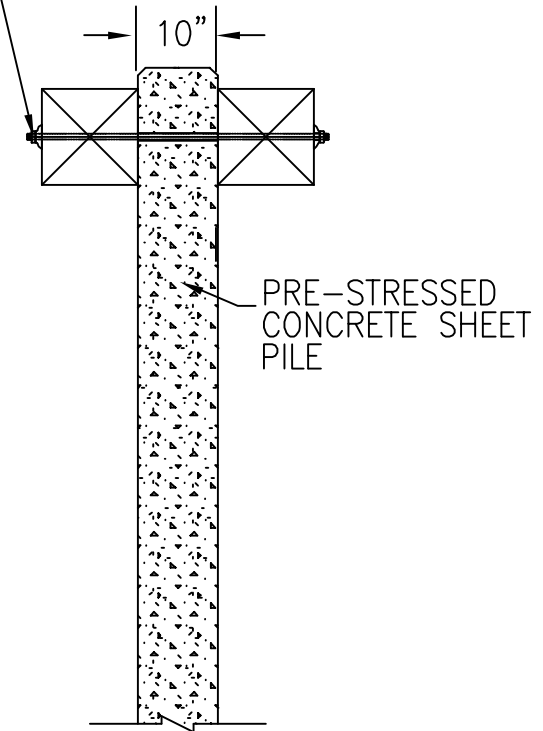
**Preliminary Drawing
Not For Construction**

SCALE:	AS SHOWN	SHEET #:	11
DATE:	MAR 2005		
DRAWN BY:	BMF		
APPROVED BY:	JWF		
PROJECT #:	2155	OF: 12	



GROIN PLAN TYPICAL
SCALE: 1/2"=1'-0"

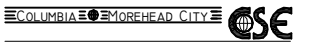
3/4" GALV. STEEL W/
O.G. WASHERS BOTH SIDES



CONCRETE SHEETPILE GROIN WALL
SECTION B-B
SCALE: 1/2"=1'-0"

GENERAL NOTES

NO.	REVISION	BY	DATE



Coastal Science & Engineering
PO Box 8056
Columbia South Carolina 29202-8056
Phone 803-799-8949
Fax 803-799-9481
www.coastalscience.com

PROJECT TITLE:

HUNTING ISLAND STATE PARK
BEACH RESTORATION

PREPARED FOR:

S.C. DEPT OF PARKS
RECREATION & TOURISM
1205 PENDELTON STREET
COLUMBIA, SC 29201

DRAWING TITLE:

DETAILS

**Preliminary Drawing
Not For Construction**

SCALE:	AS SHOWN	SHEET #:	12
DATE:	MAR 2005		
DRAWN BY:	BMF		
APPROVED BY:	JWF		
PROJECT #:	2155	OF: 12	